



LF188F (13HP)

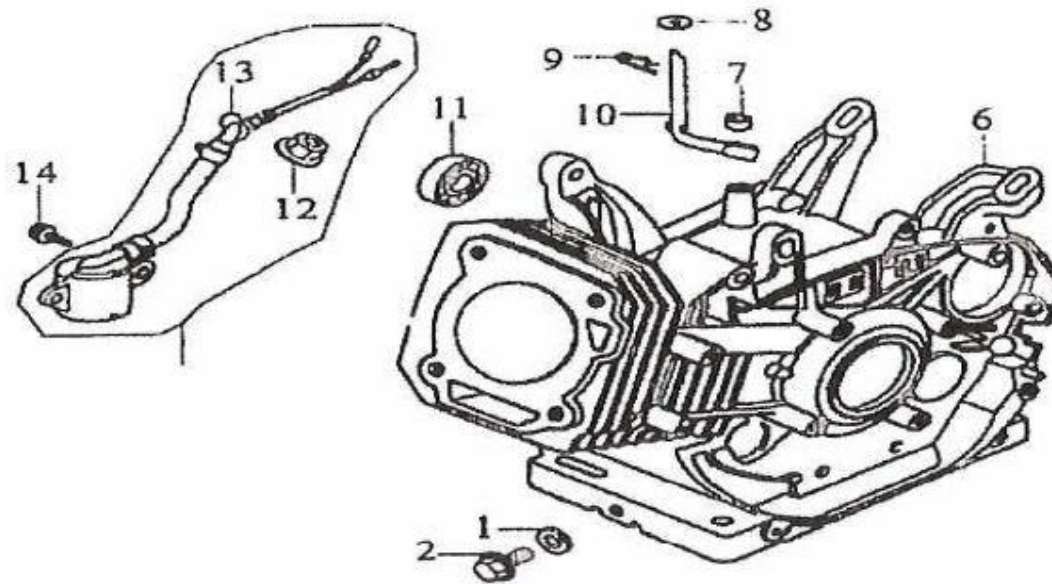
PARTS BREAKDOWN
&
ASSEMBLY DIAGRAM

Stout Racing Engines

www.StoutRacingEngines.com

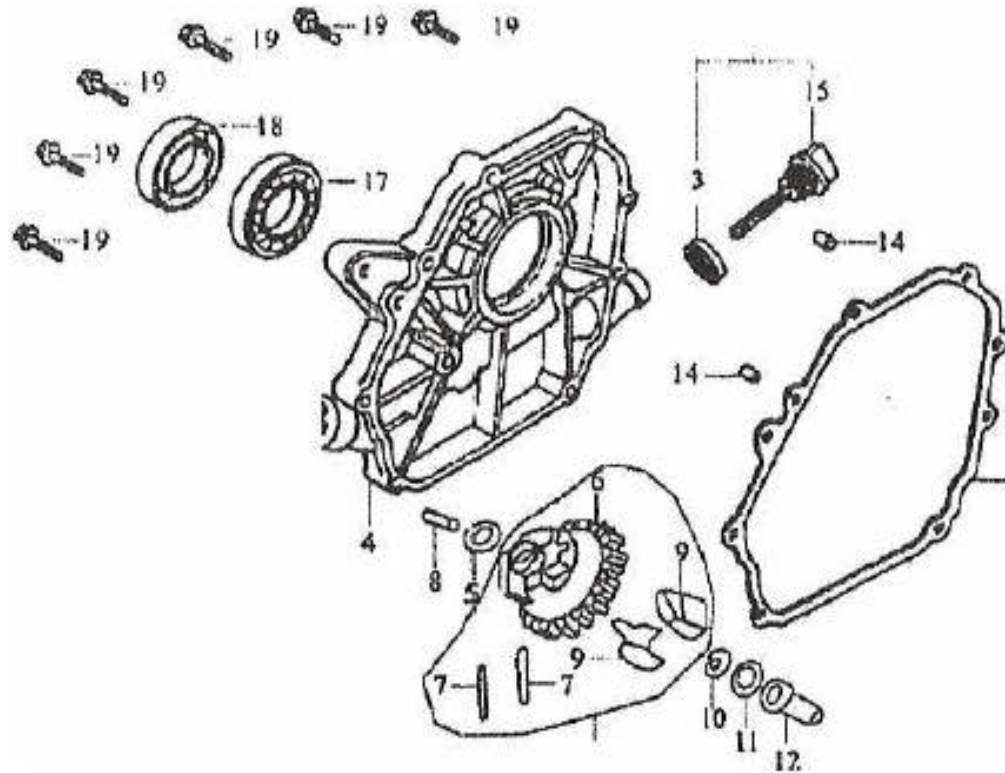
(423) 715-3897

E-1 CRANKCASE



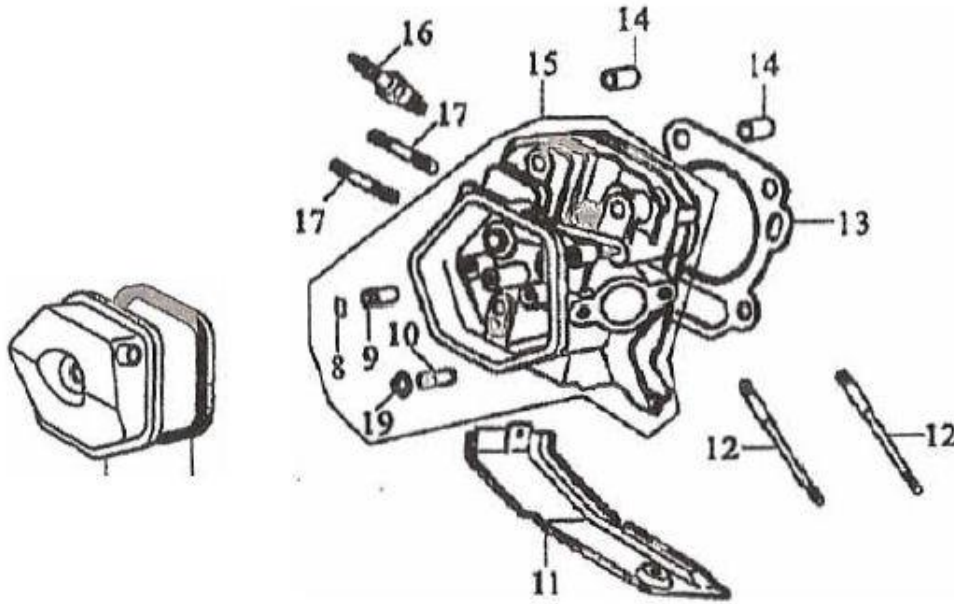
REF. NO.	PART NUMBER	DESCRIPTION
1	11213/173F	WASHER (2)
2	11212/173F	DRAIN PLUG
3	13180/182f	OIL SEAL, CRANKSHAFT
4	11124/173F	SEAL
5	37850/168F	DIODE
6	11100/188F	CRANKCASE
7	26390/173F	OIL SEAL, REGULATING SWAY BAR
8	26329/173F	WASHER
9	26321/173F	SPLIT PIN
10	26311/182F	REGULATING SWAY BAR
11	GB276-89	BEARING 6206
12	GB6177-86	NUT M10
13	GB3452.1-92	O-RING
14	GB5787-86	BOLT M6X14 (2)

E-2 CRANKCASE COVER ASSY



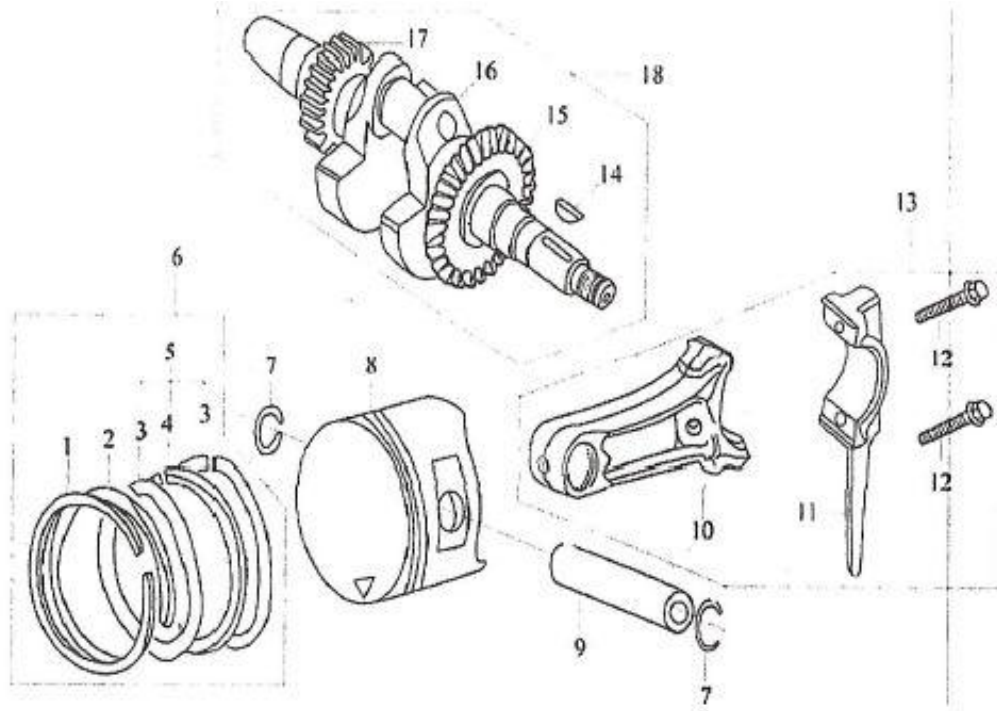
REF. NO.	PART NUMBER	DESCRIPTION
1	15650/173F	OIL PLUG WITH SEAL
2	15651/173F	OIL PLUG
3	15612/173F	SEAL
4	11311/182F	CRANKCASE COVER
5	25165/173F	WASHER, DRIVEN GEAR
6	25121/173F	DRIVEN GEAR, REGULATOR
7	25163/173F	PIN (2)
8	25151/173F	REGULATING SHAFT
9	25141/182F	FLYING BLOCK (2)
10	25164/173F	SNAP RING
11	25132/168F	WASHER
12	25131/173F	SLIDING SLEEVE
13	11119/182F	GASKET, CRANKCASE
14	11118/173F	SET PIN (2)
15	15611/173F	DIPSTICK
16	15610/173F	DIPSTICK WITH SEAL
17	GB276-89	BEARING 6206
18	13180/182F	OIL SEAL, CRANKSHAFT
19	GB5787-86	BOLT M8X35 (7)
20	25120/182F	DRIVEN GEAR, REGULATOR ASSY.

E-3 CYLINDER HEAD & CYLINDER HEAD COVER ASSY



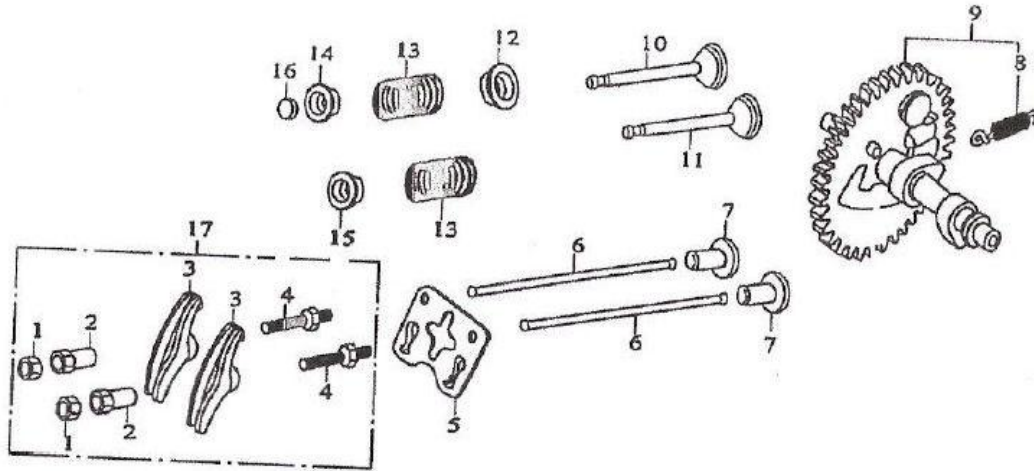
REF. NO.	PART NUMBER	DESCRIPTION
1	12400/173F	BOLT
2	12412/173F	WASHER
3	12421/173F	RUBBER SEAL
4	12410/173F	BOLT
5	12310/173F	CYLINDER HEAD COVER ASSY.
6	12312/173F	GASKET,CYLINDER HEAD COVER
7	12256/173F	BOLT
8	12219/173F	CIRCIP
9	12215/173F	EXHAUST VALVE GUIDE
10	12214/173F	INTAKE VALVE GUIDE
11	19721/182F	LEAD WIND COVER
12	12252/182F	STUD
13	12220/188F	GASKET CYLINDER HEAD
14	12218/173F	SET PIN
15	12210/182F	CYLINDER HEAD ASSY.
16	34200/173F	SPARK PLUG F7RTC
17	12253/173F	STUD (2)
18	20651/173F	AIR DUCK
19	14730/173F	SEAL

E-4 CRANKSHAFT, PISTON AND ROD



REF. NO.	PART NUMBER	DESCRIPTION
1	1311/188f	PISTON RING (I)
2	13312/188f	PISTON RING (II)
3	13322/168f	SIDE RAIL (2)
4	13321/188f	EXPANDER
5	13320/188F	SCRAPER RING SET
6	13222/182F	PISTON PIN CIRCLIP (2)
7	13211/188F	PISTON
8	13221/188F	PISTON PIN
9	13131/182F	SHANK
10	13132/182F	CONNECTING ROD COVER
11	13133/173F	BOLT (2)
12	GB276-89	BEARING 6202 (2)
13	13611/182F	BALANCING SHAFT
14	GB276-89	BEARING 6207
15	13118/173F	WOOD RUFF KEY
16	13111/182F	CRANKSHAFT
17	25111/182F	DRIVE GEAR
18	14211/182F	TIMING DRIVE GEAR
19	13300/188F	PISTON RING SET
20	13130/182F	CONNECTING ROD ASSY.
21	13110/182F	CRANKSHAFT ASSY.

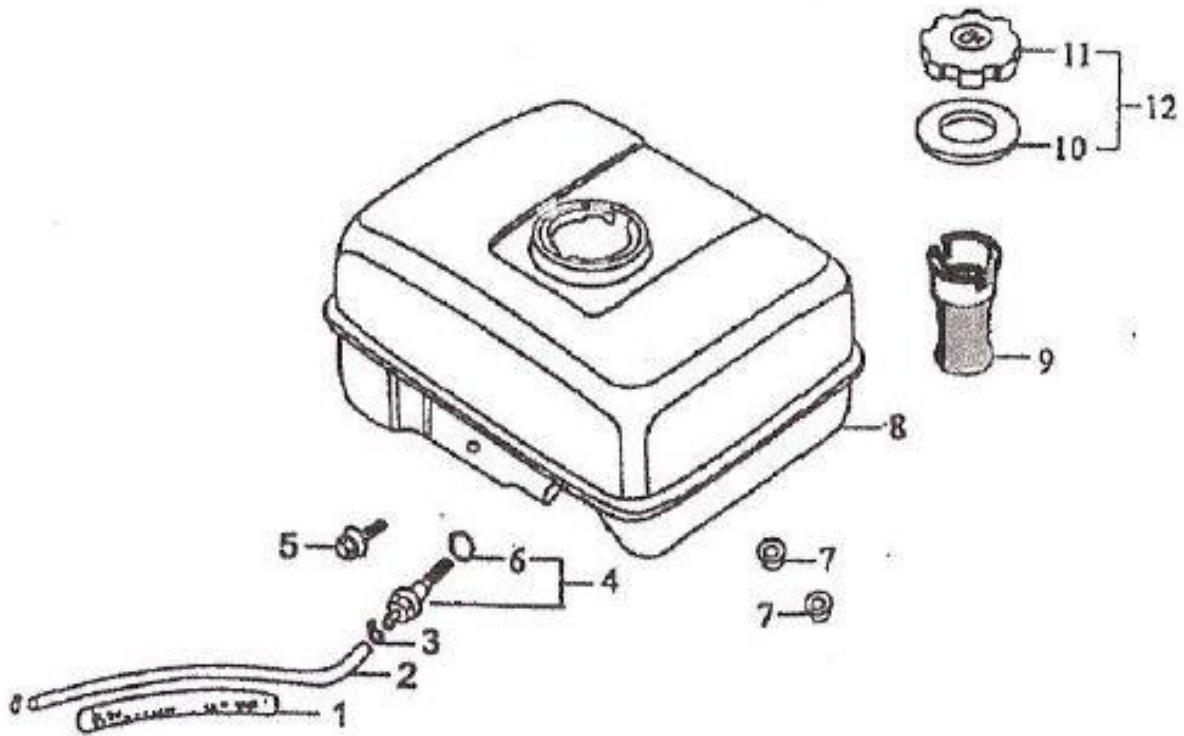
E-5 COMBINATION OF CAM SHAFT & VALVE ROCKER



REF. NO.	PART NUMBER	DESCRIPTION
1	14416/173F	LOCK NUT (2)
2	14413/173F	SLEEVE (2)
3	14411/173F	VALVE ROCKER (2)
4	14415/173F	ADJUSTING BOLT FOR VALVE GAP (2)
5	14261/173F	PUSHER GUIDE
6	14250/182F	PUSHER (2)
7	14455/173F	TAPPET (2)
8	14146/173F	EXTENSION SPRING
9	14100/188F	CAMSHAFT ASSY.
10	14721/182F	EXHAUST VALVE
11	14711/182F	INTAKE VALVE
12	14753/173F	SPRING RETAINER, EXHAUST VALVE
13	14755/173F	VALVE SPRING (2)
14	14757/173F	SPRING SEAT, EXHAUST VALVE
15	14751/173F	SPRING SEAT, INTAKE VALVE
16	14758/173F	CAP
17	14410/173F	VALVE ROCKER ASSY.

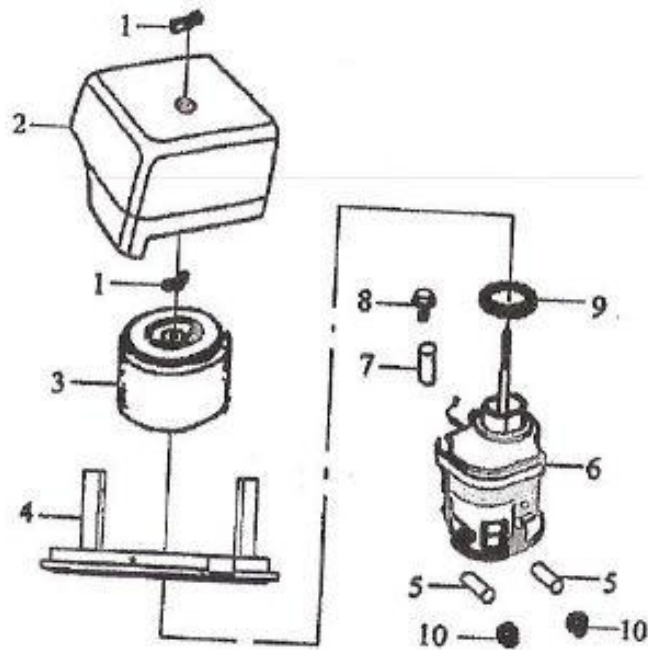
11	16216/168F	WASHER (2)
12	16215/168F	FLOAT CHAMBER DRAIN SCREW
13	16213/168F	SCREW
14	17330/173F	AIR CLEANER GASKET
15	16331/173F	CHOKE
16	16332/173F	CHOKE STEM
17	16312/168F	AIRPROOF WASHER
18	16311/168F	THROTTLE LEVER
19	16313/168F	WASHER
20	GB5787-86	SCREW M4 (2)
21	16314/168F	COVER
22	16148/173F	CHOKE SWITCH
23	16280/188F	THROTTLE UNIT
24	16422/168F	SPRING MIXTURE ADJUSTMENT SCREW
25	16425/168F	MIXTURE ADJUSTMENT SCREW
26	16330/173F	CHOKE UNIT
27	16210/173F	FLOAT CHAMBER
28	16100/188F	CARBURETOR ASSY.
29	16240/188F	FLOAT NEEDLE

E-7 FUEL TANK ASSY



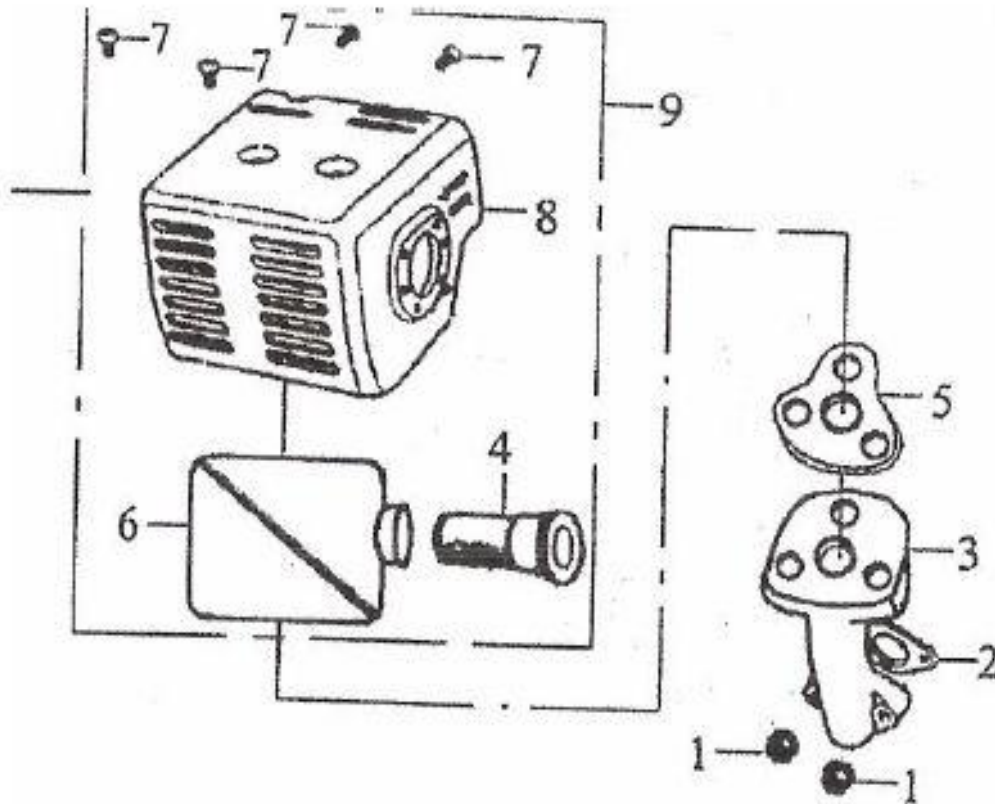
REF. NO.	PART NUMBER	DESCRIPTION
1	16933/173F	PIPE
2	16931/173F	OUTLET PIPE
3	16937/168F	PIPE CLAMP (2)
4	16950/168F	CONNECTOR
5	GB5787-86	BOLT M8X25
6	16961/168F	PACKING RING
7	GB6177-86	NUT M8 (2)
8	16610/182F	FUEL TANK
9	16916/168F	FILTER CUP
10	16521/168F	PACKING RING
11	16510/168F	FUEL FILLER CAP
12	16500/168F	FUEL FILLER CAP WITH PACKING RING

E-8 AIR CLEANER ASSY



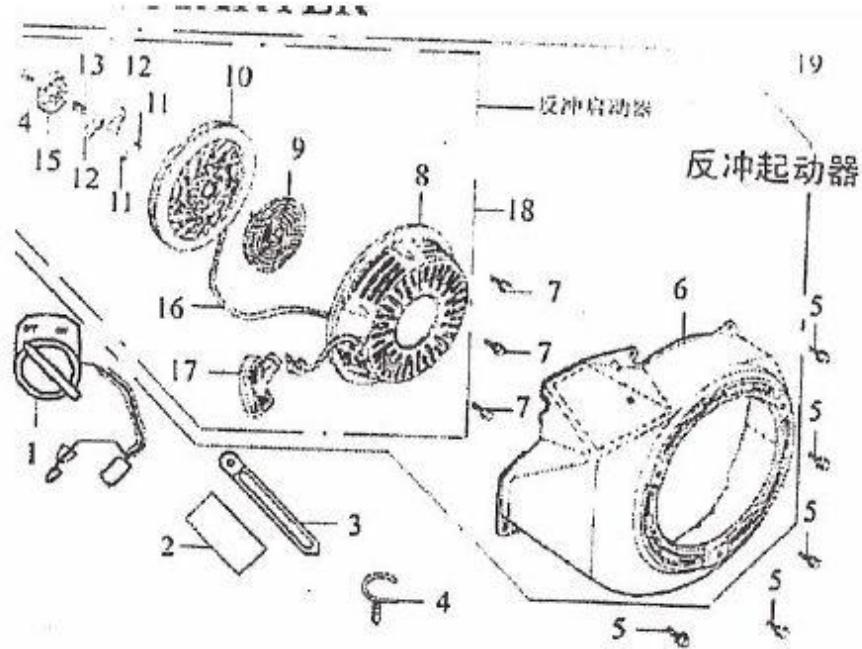
REF. NO.	PART NUMBER	DESCRIPTION
1	GB62-88	WING NUT (2)
2	17111/182F	AIR CLEANER COVER
3	17130/182F	FILTER ELEMENT
4	17141/182F	AIR CLEANER BASE
5	17126/173F	SLEEVE A
6	17131/173F	AIR CLEANER HOUSING
7	17146/173F	SLEEVE B
8	GB5787-86	BOLT M6X20
9	17125/173F	WASHER
10	GB6170-86	NUT M6 (2)

E-9 MUFFLER



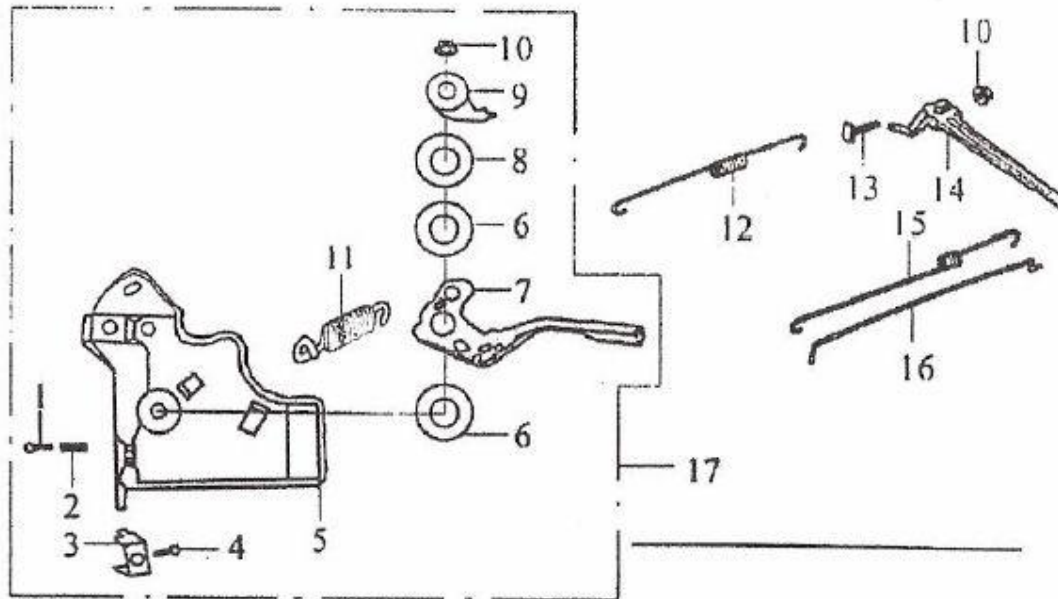
REF. NO.	PART NUMBER	DESCRIPTION
1	GB6170-86	NUT M8 (2)
2	12255/173F	EXHAUST PIPE GASKET
3	18111/173F	EXHAUST PIPE
4	18310/182F	SPARK EXTINGUISHER
5	18221/173F	MUFFLER GASKET
6	18300/182F	MUFFLER
7	GB5787-86	SCREW M5X8 (4)
8	18600/182F	MUFFLER HOOD ASSEMBLY
9	18100/182F	MUFFLER ASSEMBLY

E-10 KICK STARTER



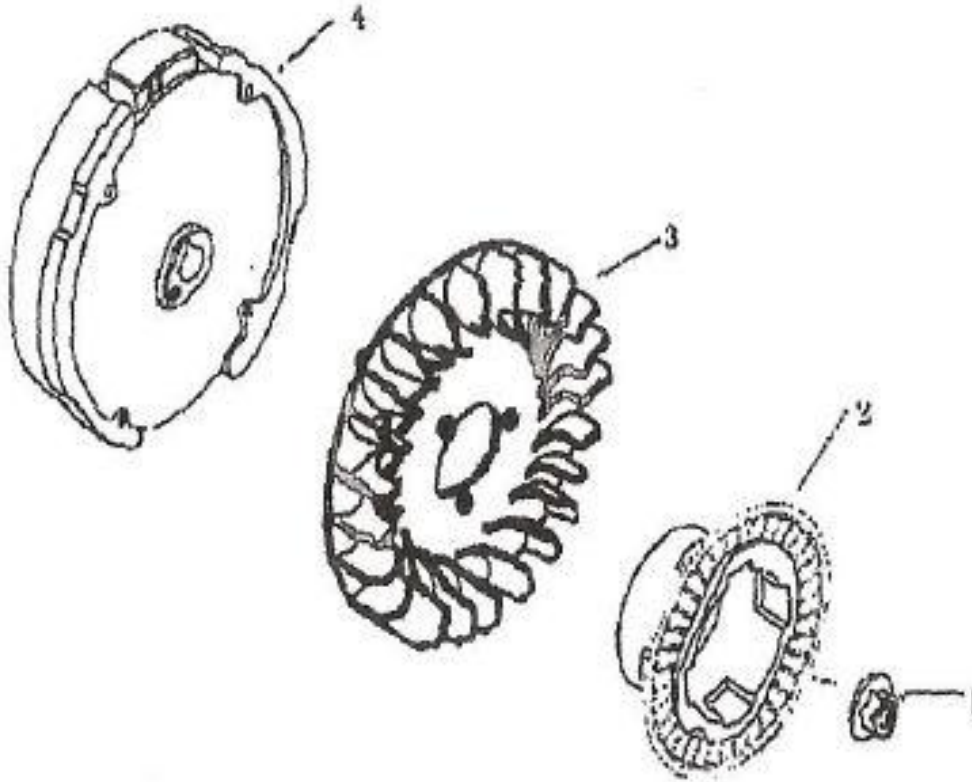
REF. NO.	PART NUMBER	DESCRIPTION
1	35410/168F	ENGINE SWITCH
2	32412/173F	WIRE GROMMET
3	32413/173F	CLIP
4	16146/173F	PLASTIC CLIP
5	GB5787-86	BOLT M6X12 (5)
6	19710/182F	FAN HOOD ASSY.
7	GB5787-86	BOLT M6X8 (3)
8	27380/182F	CASING
9	27319/182F	SPIRAL SPRING
10	27351/182F	STARTER ROLLS
11	27312/173F	RATCHET SPRING (2)
12	27331/173F	RATCHET (2)
13	27311/173F	FRICTION SPRING
14	27315/173F	SET SCREW
15	27341/173F	SPRING LID
16	27313/168F	ROPE
17	27361/168F	PULLING HANDLE
18	27300/182F	RECOIL STARTER
19	27100/182F	RECOIL STARTER ASSY.

E-11 REGULATING CONTROL SYSTEM



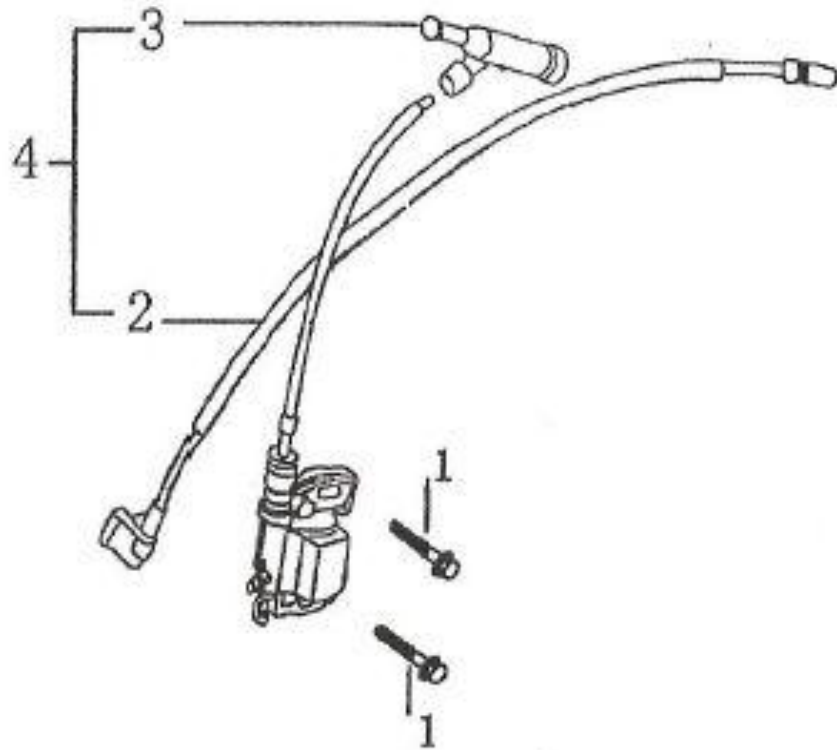
REF. NO.	PART NUMBER	DESCRIPTION
1	GB818-85-H	BOLT M5X35
2	26415/173F	REGULATING SPRING
3	26422/173F	CLAMP
4	GB5787-86	BOLT M6X12
5	26421/182F	SUPPORT PANEL (2)
6	26419/173F	WASHER
7	26412/182F	HANDGRIP
8	26418/173F	SPRING PATCH
9	26414/173F	SETTING PANEL (2)
10	GB6177-86	NUT M6
11	26416/173F	SPRING
12	26363/182F	BACK SPRING
13	26362/168F	LOCK BOLT
14	26331/182F	REGULATING ARM
15	26364/182F	FINE REGULATING SPRING
16	26341/182F	PULLING ROD
17	26410/182F	REGULATING FRAME ASSY.

E-12 FLYWHEEL



REF. NO.	PART NUMBER	DESCRIPTION
1	27515/168F	NUT M14X1.5
2	27370	STARTING FLANGE
3	19722/168F	FLYWHEEL FAN
4	27500/168F	FLYWHEEL

E-13 IGNITION COIL



REF. NO.	PART NUMBER	DESCRIPTION
1	GB5787-86	SCREW M6X22 (2)
2	34410/168F	EXTINGUISHING CABLE
3	34310/168F	SPARK PLUG CAP
4	34500/168F	IGNITION COIL



**190 Starlet Circle NE
Cleveland TN 37323**

Contact: Lewis Stout

(423) 715-3897

Email: gummy07@charter.net

www.StoutRacingEngines.com